



Z5647-BWL

HET Elongated, ADA Height, Floor Mounted Back Outlet TAG
EcoVantage® Flush Valve Toilet with Antimicrobial Glaze

Architectural/Engineering Specification:

Vitreous china, floor mounted back outlet toilet with siphon jet flushing action, antimicrobial ceramic glaze, longated front rim, ADA compliant rim height, 1-1/2" spud inlet connection and 4-1/8" back outlet rough-in height. This bowl is designed to perform to industry standards with as little as 1.1 gallons per flush, engineered to provide optimal performance.

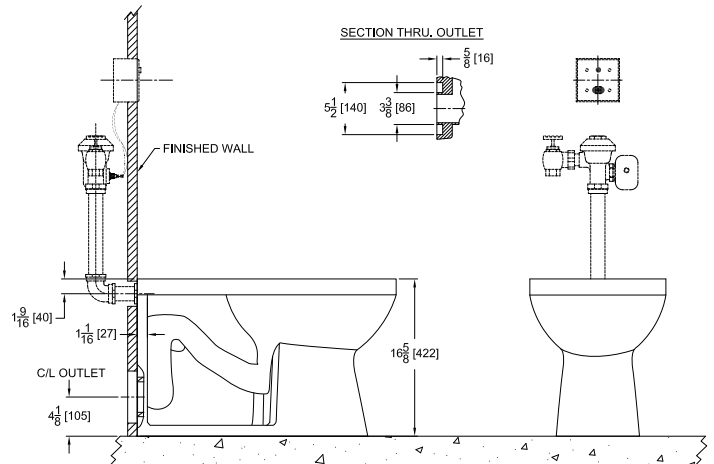
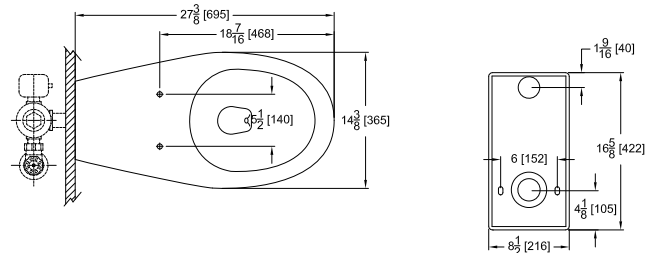
Product Features:

- Vitreous china
- Antimicrobial ceramic glaze utilizing SmartSilver™ nanotechnology to create a permanent surface that inhibits the growth of stain and odor causing mold mildew and bacteria, thus minimizing the need for cleaning chemicals and water to cleanse the bowl.
- 4-1/8" Back Outlet Rough-in
- Elongated front rim
- 2-1/8" fully glazed trapway
- High efficiency siphon jet flush action
- Includes bolt caps
- Shipping Weight: 65 lbs.

Recommended Trim:

Z5955SS-EL

Elongated, standard white, open front toilet seat less cover with stainless steel check hinge.



Rough-in/Overview dimensions:
Z5647-BWL with back spud

See Zurn One Systems for suggested packages.

Architectural/Engineering Approval

The information contained in this document is subject to change without notice.
Please contact Zurn for most up to date information.

Compliance and Certification:

- ADA Compliant



Meets the American Disabilities Guidelines and ANSI A117.1 requirements when installed according to these requirements. Fixture dimensions meet ASME A112.19.2/CSA B45.1 requirements. In Canada - Consult local codes and standards.