



Z5765-U

TAG _____

Omni-Flo™ Back Spud Urinal 0.125 gpf to 1.0 gpf



Z5765 Urinal Series

- Zurn Ultra Low Consumption Urinal designed for optimal performance when paired with Zurn flush valve to save water while exceeding industry performance standards
- Based on flush valve it can flush 0.125 gpf [0.5 Lpf] to 1.0 gpf [3.8 Lpf]
- Vitreous china
- Asymmetric backwall resulting in reduced splash back
- Patent Pending
- High efficiency washdown flushing action
- Oversized footprint to make retrofit easy
- 3/4" back spud
- 2" I.P.S. outlet flange and rubber gasket with integral trap
- 14" extended rim for handicap compliance when installed at proper height
- Vandal resistant outlet strainer included

Z5765 SERIES

Recommended Trim:

- ZEMS6195AV-ULF**
Concealed Hardwired Sensor Operated Urinal Flush Valve. 0.125 gpf[0.5 Lpf]
- ZEMS6195AV-EWS**
Concealed Hardwired Sensor Operated Urinal Flush Valve. 0.5 gpf [1.9 Lpf]
- ZEMS6195AV-WS1**
Concealed Hardwired Sensor Operated Urinal Flush Valve. 1.0 gpf [3.8 Lpf]

Engineering Specification:

- Z5765 EcoVantage® Urinal**
0.125 gpf [0.5 Lpf] to 1.0 gpf [3.8 Lpf] vitreous china, wall hung, integral trap, washdown urinal complete with 3/4" back spud connection, concealed universal retrofit wall bracket, 2" outlet connection and vandal resistant outlet strainer.

***Replaces Zurn Z5760 AND Z5799-U**



This product should be used with a WaterSense labeled counterpart with a compatible flush volume to ensure that the entire system meets the requirements for

These dimensions and specifications are subject to change without notice.

Fixture dimensions meet ANSI/ASME standard A112.19.2 and CAN/CSA B45 requirements.

Meets the American Disabilities Guidelines and ANSI A117.1 requirements when urinal is installed 432mm (17") from finished floor.



ZURN INDUSTRIES, LLC. ♦ COMMERCIAL BRASS OPERATION
 5900 ELWIN BUCHANAN DRIVE ♦ SANFORD NC 27330
 PHONE: 1-800-997-3876 ♦ FAX: 919-775-3541
 WWW.ZURN.COM
 IN CANADA: ZURN INDUSTRIES LIMITED
 7900 GOREWAY DRIVE UNIT 10 ♦ BRAMPTON, ONTARIO L6T5W6
 PHONE: 905-405-8272 FAX: 905-405-1292

This space is for Architectural/engineering Approval

See Zurn One Systems for suggested packages.

The information contained in this document is subject to change without notice. Please contact Zurn for most up to date information.

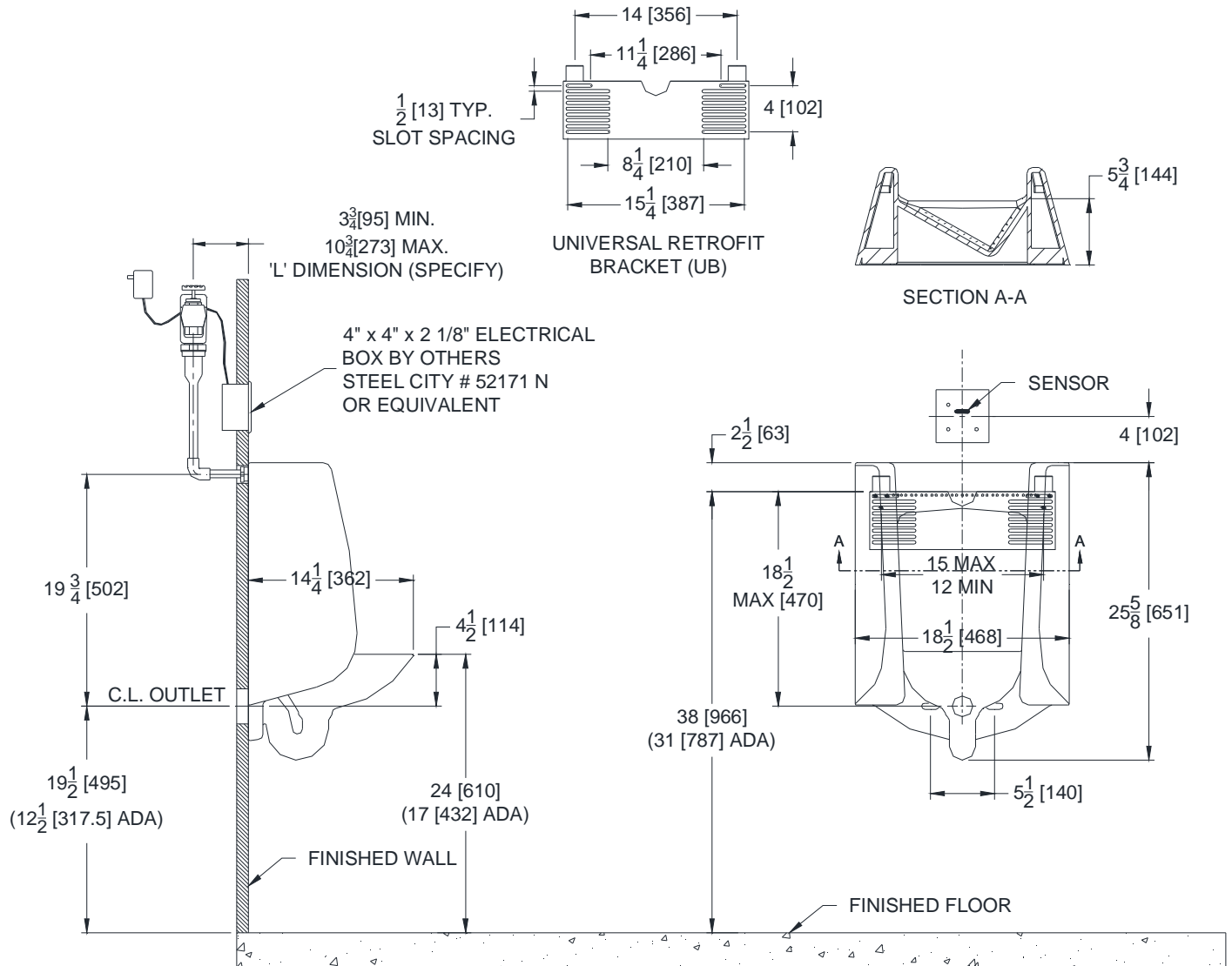


Z5765-U

TAG _____

Omni-Flo™ Back Spud Urinal 0.125 gpf to 1.0 gpf

Rough-in dimensions for Z5765-U Series



These dimensions and specifications are subject to change without notice.

Fixture dimensions meet ANSI/ASME standard A112.19.2 and CAN/CSA B45 requirements.

Meets the American Disabilities Guidelines and ANSI A117.1 requirements when urinal is installed 432mm (17") from finished floor.



ZURN INDUSTRIES, LLC. ♦ COMMERCIAL BRASS OPERATION
5900 ELWIN BUCHANAN DRIVE ♦ SANFORD NC 27330
PHONE: 1-800-997-3876 ♦ FAX: 919-775-3541
WWW.ZURN.COM

IN CANADA: ZURN INDUSTRIES LIMITED
7900 GOREWAY DRIVE UNIT 10 ♦ BRAMPTON, ONTARIO L6T5W6
PHONE: 905-405-8272 FAX: 905-405-1292

EcoVantage® is a registered trademark of Zurn Industries, LLC.

Rev. C
Dwg. No. 312162

Date: 14/19/2017
Product No. Z5765-U