



# Z5635-BWL

HET Elongated, Floor Mounted Back Outlet  
EcoVantage® Flush Valve Toilet with Antimicrobial Glaze

TAG \_\_\_\_\_

### Architectural/Engineering Specification:

Vitreous china, floor mounted back outlet toilet with siphon jet flushing action, antimicrobial ceramic glaze, elongated front rim, 1-1/2" spud inlet connection and 4-1/8" back outlet rough-in height. Universal high efficiency toilet is designed to exceed industry standards with flush volumes of 1.1 gallons per flush or higher.

### Product Features:

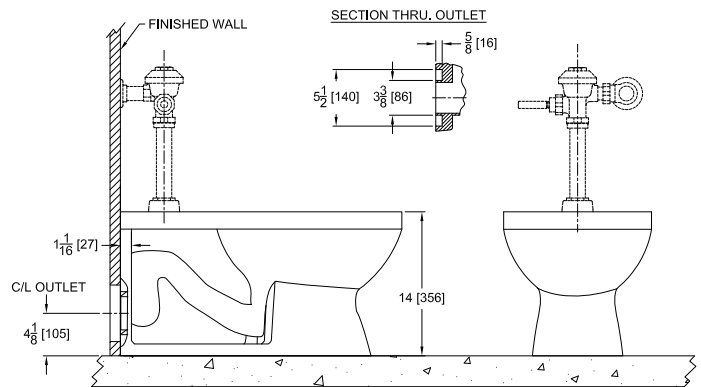
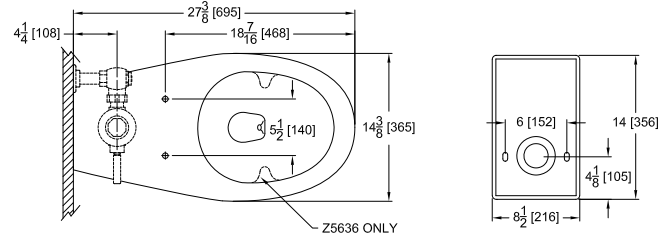
- Vitreous china
- Antimicrobial ceramic glaze utilizing SmartSilver™ nanotechnology to create a permanent surface that inhibits the growth of stain and odor causing mold mildew and bacteria, thus minimizing the need for cleaning chemicals and water to cleanse the bowl.
- 4-1/8" Back Outlet Rough-in
- Elongated front rim
- 2-1/8" fully glazed trapway
- High efficiency siphon jet flush action
- Includes bolt caps
- Shipping Weight: 65 lbs.

### Configurations:

- Z5635-BWL As described
- Z5636-BWL As described with integral bed pan lugs.

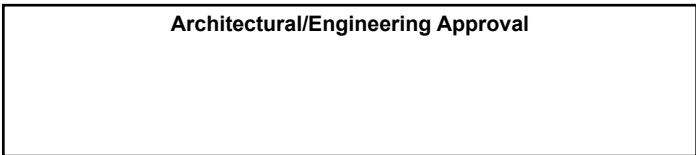
### Recommended Trim:

- Z5955SS-EL  
Elongated, standard white, open front toilet seat less cover with stainless steel check hinge.



Rough-in/Overview dimensions for Z5635 Series  
Z5635-BWL with top spud  
Z5636-BWL with top spud and bedpan lugs

See Zurn One Systems for suggested packages.



The information contained in this document is subject to change without notice.  
Please contact Zurn for most up to date information.

Fixture dimensions meet ASME A112.19.2/CSA B45.1 requirements.  
In Canada - Consult local codes and standards.